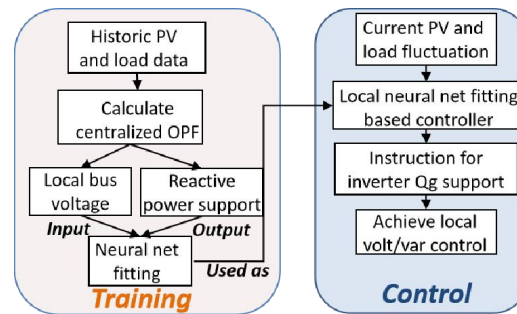
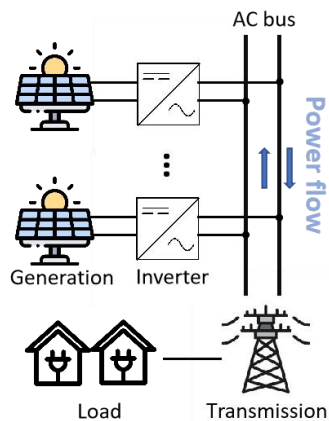
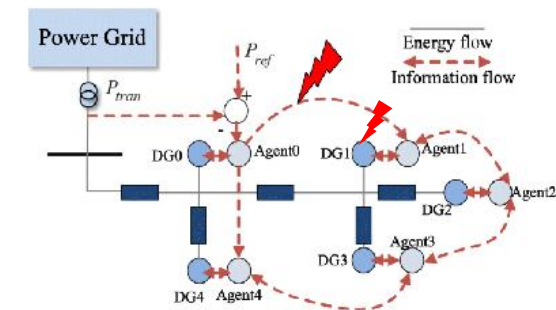
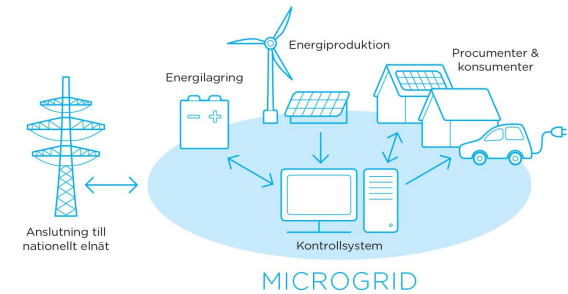




Digital twin based data-driven modeling and control of microgrid and sustainable power grids

Objectives:

- Build reliable model of modern power grid with high penetration of renewables and power electronics and deal with the uncertainties and complexities.
- Develop advance and robust control strategies for smart microgrid against possible failures and cyberattacks.



- Apply data-driven technologies to improve the efficiency and use digital twin to enhance grid stability and security.



Yizhou Lu
PhD Student

Department:
Electrical Power and
Energy Systems

Group:
Power System
Operation
and Control

Contact Details: yizhoul@kth.se

Project Period: 2022-2026